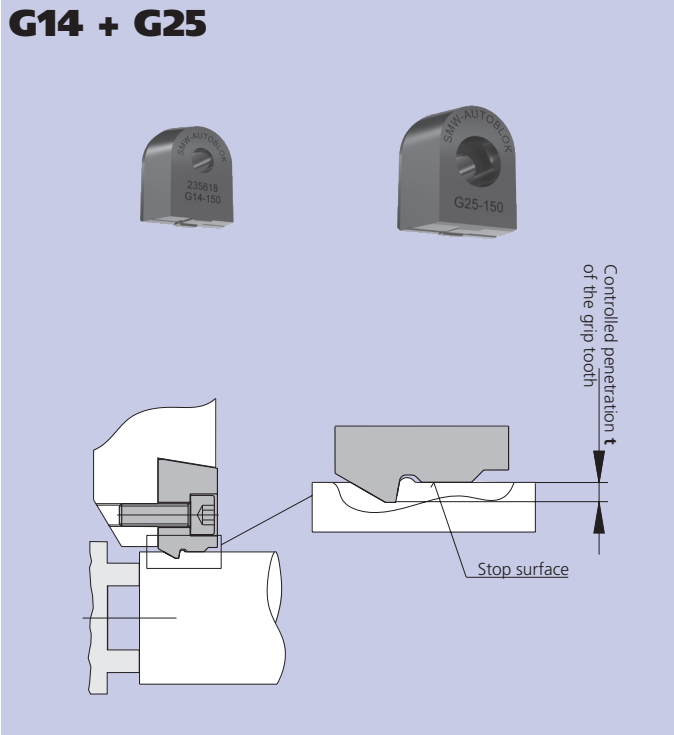


■ With pull down effect

G14 + G25



G-gripper characteristics

- Type G grippers have a stop surface for a **controlled penetration** of the grip tooth.
- **The workpiece is clamped concentric on the stop surface**, so that the clamping dia. and the machining dia. are concentric.
- The **high precision** of the gripper guarantees concentricity even after replacing worn out grippers.
- Highest torque transmission is guaranteed with the **combination of friction and positive drive**.
- The geometry of the gripper creates a **pull down effect** on the workpiece.
- **TIN coated high speed steel** for long life.
- You can **select the corresponding gripper** for all applications according to the grind stock allowance.
- Gripper with **controlled penetration** 0.07 - 0.30 mm are standard.
- **Special grippers are available** on request.

G14

(Light duty version)
Material: HSS

Mounting dimension

SMW-AUTOBLOK Type	G14-070	G14-100	G14-125	G14-150	G14-175	G14-200
Controlled penetration t	0.070	0.100	0.125	0.150	0.175	0.200
Id. No.	235615	235616	235617	235618	235619	235620

G25

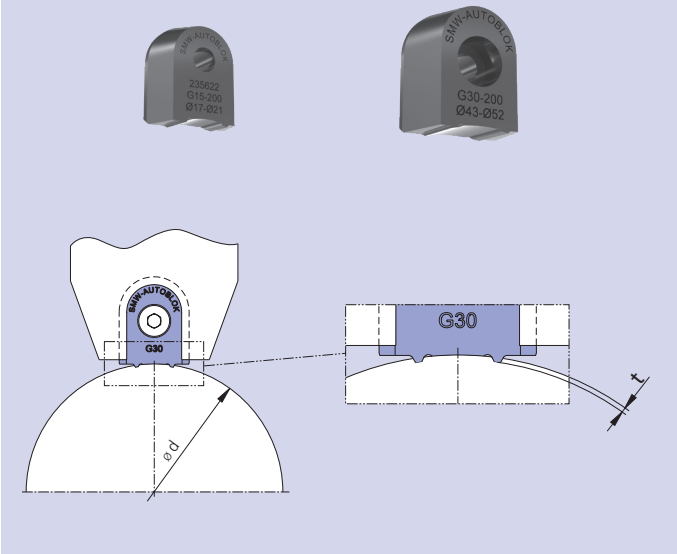
(Heavy duty version)
Material: HSS

Mounting dimension

SMW-AUTOBLOK Type	G25-100	G25-150	G25-200	G25-250	G25-300
Controlled penetration t	0.10	0.15	0.20	0.25	0.30
Id. No.	232704	231275	231276	231277	231278

■ For highest torque transmission

G15 + G30

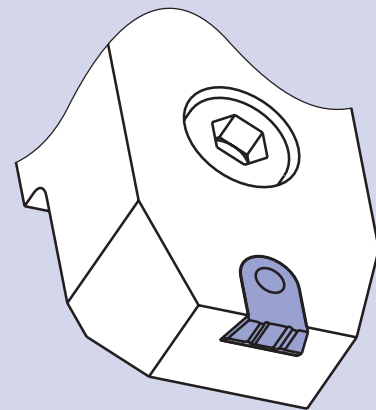
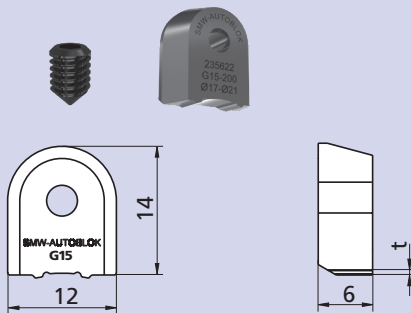


G-gripper characteristics

- Type G grippers have a stop surface for a **controlled penetration** of the grip tooth.
- **The workpiece is clamped concentric on the stop surface**, so that the clamping dia. and the machining dia. are concentric.
- The **high precision** of the gripper guarantees concentricity even after replacing worn out grippers.
- Highest torque transmission is guaranteed with the **combination of friction and positive drive**.
- **TIN coated high speed steel** for long life.
- You can **select the corresponding gripper** for all applications according to the grind stock allowance.
- Gripper with **controlled penetration 0.15 - 0.30 mm** are standard.
- **Special grippers are available** on request.

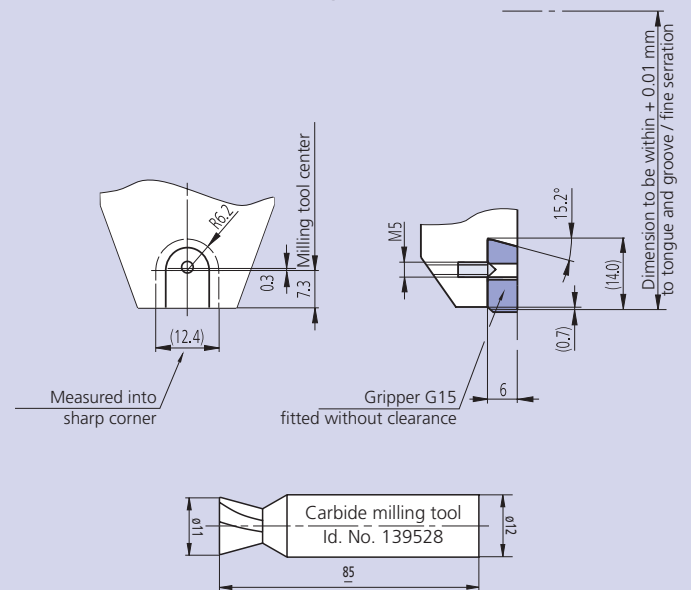
G15

(Light duty version)
Material: HSS



Mounting dimension

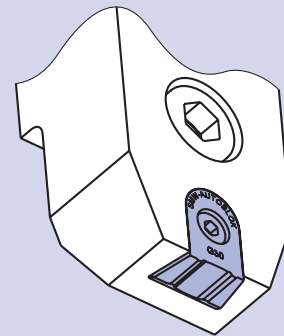
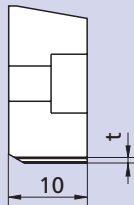
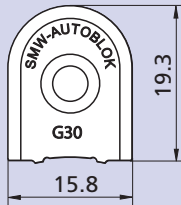
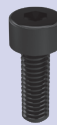
SMW-AUTOBLOK Type	G15-150	G15-200	G15-250
Work piece- \varnothing		17-21	
Controlled penetration t	0.15	0.20	0.25
Id. No.	235621	235622	235623
Work piece- \varnothing		22-27	
Controlled penetration t	0.15	0.20	0.25
Id. No.	237762	237763	237764
Work piece- \varnothing		28-34	
Controlled penetration t	0.15	0.20	0.25
Id. No.	235624	235625	235626
Work piece- \varnothing		35-42	
Controlled penetration t	0.15	0.20	0.25
Id. No.	237765	237766	237767
Work piece- \varnothing		43-53	
Controlled penetration t	0.15	0.20	0.25
Id. No.	235627	235628	235629
Work piece- \varnothing		54-78	
Controlled penetration t	0.15	0.20	0.25
Id. No.	237400	237401	237402
Work piece- \varnothing		79-175	
Controlled penetration t	0.15	0.20	0.25
Id. No.	237409	237410	237411



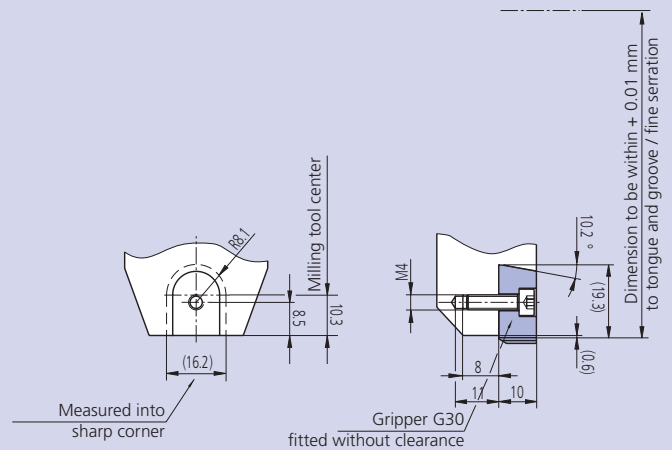
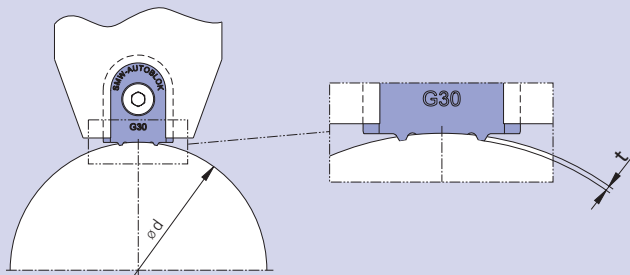
■ For highest torque transmission

G30

(Heavy duty version)
Material: HSS



Mounting dimension



SMW-AUTOBLOK Type	G30-200	G30-250	G30-300
Work piece- \varnothing		24-32	
Controlled penetration t	0.20	0.25	0.30
Id. No.	237841	237842	237843
Work piece- \varnothing		33-42	
Controlled penetration t	0.20	0.25	0.30
Id. No.	233481	233482	233483
Work piece- \varnothing		43-52	
Controlled penetration t	0.20	0.25	0.30
Id. No.	233421	233422	233423
Work piece- \varnothing		53-64	
Controlled penetration t	0.20	0.25	0.30
Id. No.	233485	233486	233487
Work piece- \varnothing		65-84	
Controlled penetration t	0.20	0.25	0.30
Id. No.	234811	234812	234813
Work piece- \varnothing		85-119	
Controlled penetration t	0.20	0.25	0.30
Id. No.	237291	237292	237293
Work piece- \varnothing		120-174	
Controlled penetration t	0.20	0.25	0.30
Id. No.	237299	237300	237301
Work piece- \varnothing		175-335	
Controlled penetration t	0.20	0.25	0.30
Id. No.	237422	237423	237424

