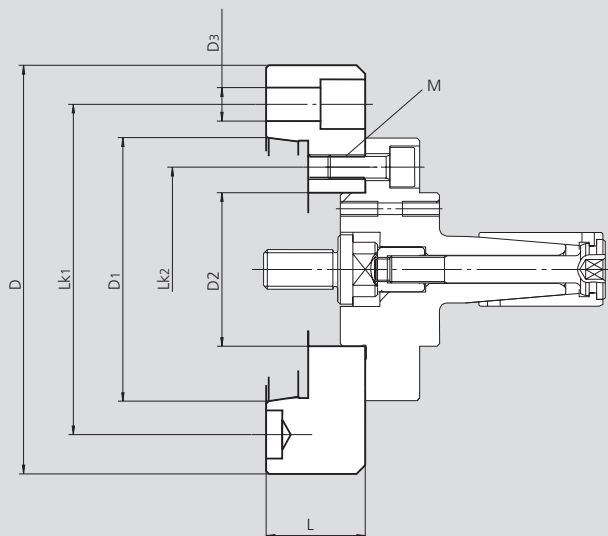


Adapters

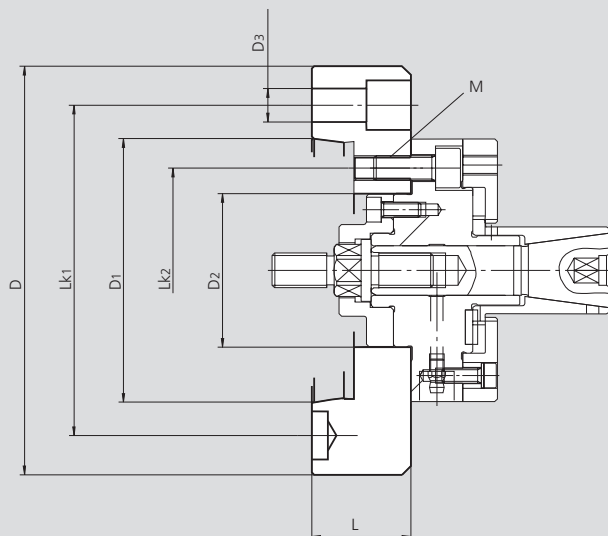
ISO-A for expanding mandrels

- Mandrels EM-A and EM-B have cylindrical mounting
- Adapters for DIN 55026 / ISO-A 702/1 spindle noses

EM-A



EM-B



Subject to technical changes.
For more detailed information please ask our customer service.

Technical data

| adapter flange Id. No. | | spindle nose ISO | D | D1 | D2 | D3 | LK1 | LK2 | L | M |
|------------------------|----|------------------|-----|---------|------------------|------|-------|-------|----|---------|
| 24150100 | mm | A5 | 127 | 82.563 | 62 ^{H6} | 12 | 104.8 | 82.6 | 40 | 3 x M10 |
| 24150400 | mm | A5 | 135 | 82.563 | 86 ^{H6} | 12 | 104.8 | 104.8 | 40 | 3 x M10 |
| 24160100 | mm | A6 | 165 | 106.375 | 62 ^{H6} | 13.5 | 133.4 | 82.6 | 40 | 3 x M10 |
| 24160400 | mm | A6 | 165 | 106.375 | 86 ^{H6} | 13.5 | 133.4 | 104.8 | 40 | 3 x M10 |
| 24180100 | mm | A8 | 210 | 139.719 | 62 ^{H6} | 17 | 171.4 | 82.6 | 40 | 3 x M10 |
| 24180400 | mm | A8 | 210 | 139.719 | 86 ^{H6} | 17 | 171.4 | 104.8 | 40 | 3 x M10 |

| appropriate adapter flanges | EM-A | EM-B |
|-----------------------------|-------------|---------|
| 24150100 ISO-A5 | | |
| 24160100 ISO-A6 | 1-2-3-4-5-6 | 0-1-2-3 |
| 24180100 ISO-A8 | | |
| 24150400 ISO-A5 | | |
| 24160400 ISO-A6 | 7-8-9-10-11 | 4 |
| 24180400 ISO-A8 | | |