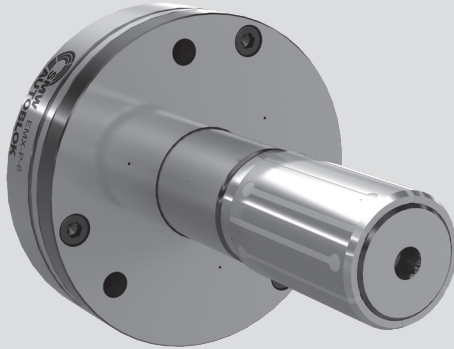


# EMX-P

Expanding mandrel  
Power operated

## Expanding mandrels Ø 14.7 - 131.7 mm

- Size 1 - 11
- Highest concentricity
- Air sensing



### Application/customer benefits

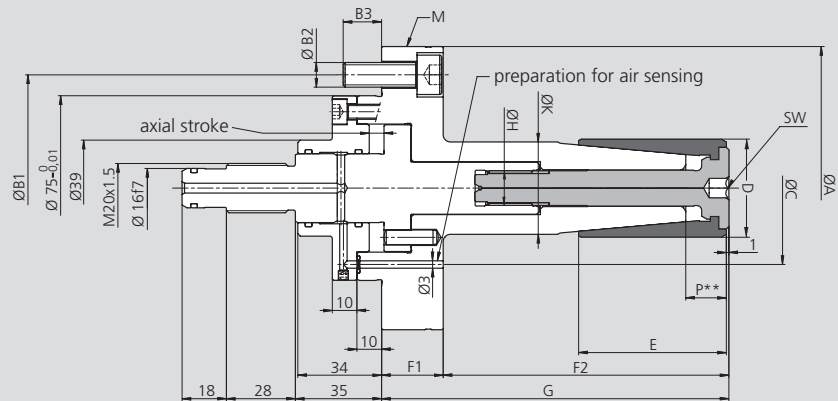
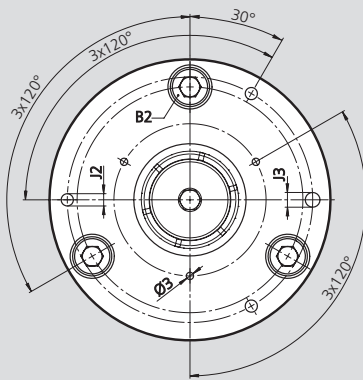
- For turning, milling, grinding and gear cutting operations
- High accuracy and torque transmission due to fixed arbor
- Axial pull down by axial movement of the clamping sleeve during actuation
- Quick set-up

### Technical features

- Large expansibility 1 mm in diameter
- Power operated / manual lubrication
- Flange mounting
- Very rigid design
- Vulcanized expanding sleeve for protection from the penetration of chips (option)
- Preparation for air sensing

### Standard equipment

Basic mandrel with draw bolt for power operation  
Mounting bolts



Subject to technical changes.  
For more detailed information please ask our customer service.

SMW-AUTOBLOK Type Id. No.	EMX-P-1 9310000	EMX-P-2 9320000	EMX-P-3 9330000	EMX-P-4 9340000	EMX-P-5 9350000	EMX-P-6 9360000	EMX-P-7 9370000	EMX-P-8 9380000	EMX-P-9 9390000	EMX-P-10 9300000	EMX-P-11 9310010
<b>A</b>	115	115	115	115	115	115	135	135	135	135	135
<b>B1</b>	92	92	92	92	92	92	112	112	112	112	112
<b>B2</b>	3 x M10	3 x M10	3 x M10	3 x M10	3 x M10	3 x M10	3 x M10	3 x M10	3 x M10	3 x M10	3 x M10
<b>B3</b>	15.6	15.6	15.6	15.6	15.6	15.6	15.6	15.6	15.6	15.6	15.6
<b>C</b> 3 x 120° Ø 3	62	62	62	62	62	62	62	76	85	98	110
<b>D Clamping length</b>	14.7 - 19.7	19.7 - 24.7	24.7 - 29.7	29.7 - 34.7	34.7 - 39.7	39.7 - 44.7	44.7 - 54.7	54.7 - 64.7	64.7 - 81.7	81.7 - 101.7	101.7 - 131.7
<b>E</b>	35	40	46	50	60	60	80	90	100	122	140
<b>F1</b>	25	25	25	25	25	25	25	25	25	25	25
<b>F2</b>	76	86	97	106	116	116	152	158	192	218	245
<b>G</b>	101	111	122	131	141	141	177	183	217	243	270
<b>H</b>	M6	M8	M10	M11x1.5	M12	M14	M14	M14	M14	M20	M20
<b>J1</b>	100	100	100	100	100	100	115	115	115	115	115
<b>J2</b>	3 x M6	3 x M6	3 x M6	3 x M6	3 x M6	3 x M6	3 x M8	3 x M8	3 x M8	3 x M8	3 x M8
<b>J3</b>	H7	6	6	6	6	6	8	8	8	8	8
<b>K</b>	f8	22	27	29	32	35	38	42	50	60	73
<b>M transport</b>	-	-	-	-	-	-	-	-	3 x M8	3 x M8	3 x M8
<b>P**</b>	13	15	15	15.5	16	16.5	18.5	20.5	21	21.5	26
<b>WS (hex)</b>	WS4	WS4	WS6	WS8	WS8	WS8	WS8	WS10	WS10	WS12	WS12

### Technical data

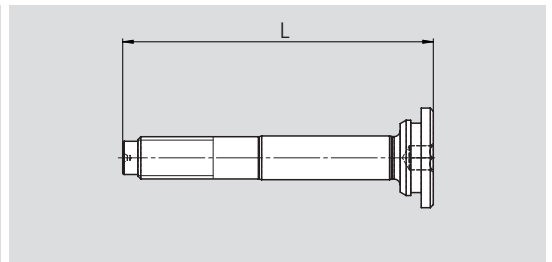
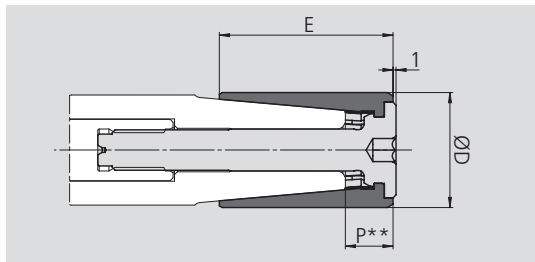
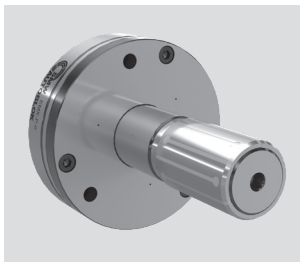
SMW-AUTOBLOK Type Id. No.	EMX-P-1 9310000	EMX-P-2 9320000	EMX-P-3 9330000	EMX-P-4 9340000	EMX-P-5 9350000	EMX-P-6 9360000	EMX-P-7 9370000	EMX-P-8 9380000	EMX-P-9 9390000	EMX-P-10 9300000	EMX-P-11 9310010
<b>Axial stroke</b>	6.0	6.0	6.0	6.0	6.0	6.0	6.0	6.0	6.0	6.0	6.0
<b>Sleeve expansion Ø *</b>	1.0	1.0	1.0	1.0	1.0	1.0	1.0	1.0	1.0	1.0	1.0
<b>Max. axial force in kN</b>	7	7	12	12	15	20	20	20	25	25	30
<b>Max. transmittable torque in Nm</b>	15	35	75	100	120	150	200	250	275	320	500
<b>Weight in kg</b>	2.9	3.0	3.1	3.2	3.3	3.4	4.6	5.2	6.6	8.7	11.9
<b>Rec. actuating cylinders</b>	SIN-S 70	SIN-S 70	SIN-S 85	SIN-S 85	SIN-S 85	SIN-S 100	SIN-S 100	SIN-S 100	SIN-S 100	SIN-S 100	SIN-S 125

All measurements in unclamped position = Right end position.

\* from nominal dimension.

\*\* Clamping on area P only is not allowed.

## Ordering review



For basic mandrel							Clamping sleeve* with actuating screw	actuating screw	
type	Id.-No.	clamping range	ØD	E	expansibility	P**	Id.-No.	Id.-No.	L
EMX-P-1	9310000	14.7-19.7	14.7	35	1	12.7	9310147	9312000	76,5
			15.7	35	1	12.7	9310157		
			16.7	35	1	12.7	9310167		
			17.7	35	1	12.7	9310177		
			18.7	35	1	12.7	9310187		
EMX-P-2	9320000	19.7-24.7	19.7	40	1	14.7	9320197	9322000	81
			20.7	40	1	14.7	9320207		
			21.7	40	1	14.7	9320217		
			22.7	40	1	14.7	9320227		
			23.7	40	1	14.7	9320237		
EMX-P-3	9330000	24.7-29.7	24.7	46	1	14.7	9330247	9332000	87,5
			25.7	46	1	14.7	9330257		
			26.7	46	1	14.7	9330267		
			27.7	46	1	14.7	9330277		
			28.7	46	1	14.7	9330287		
EMX-P-4	9340000	29.7-34.7	29.7	50	1	15.2	9340297	9342000	93
			30.7	50	1	15.2	9340307		
			31.7	50	1	15.2	9340317		
			32.7	50	1	15.2	9340327		
			33.7	50	1	15.2	9340337		
EMX-P-5	9350000	34.7-39.7	34.7	60	1	15.7	9350347	9352000	103
			35.7	60	1	15.7	9350357		
			36.7	60	1	15.7	9350367		
			37.7	60	1	15.7	9350377		
			38.7	60	1	15.7	9350387		
EMX-P-6	9360000	39.7-44.7	39.7	60	1	16.2	9360397	9362000	103
			40.7	60	1	16.2	9360407		
			41.7	60	1	16.2	9360417		
			42.7	60	1	16.2	9360427		
			43.7	60	1	16.2	9360437		
EMX-P-7	9370000	44.7-54.7	44.7	80	1	18.2	9370447	9372000	117
			45.7	80	1	18.2	9370457		
			46.7	80	1	18.2	9370467		
			47.7	80	1	18.2	9370477		
			48.7	80	1	18.2	9370487		
			49.7	80	1	18.2	9370497		
			50.7	80	1	18.2	9370507		
			51.7	80	1	18.2	9370517		
			52.7	80	1	18.2	9370527		
			53.7	80	1	18.2	9370537		
EMX-P-8	9380000	54.7-64.7	54.7	90	1	20.2	9380547	9382000	127
			55.7	90	1	20.2	9380557		
			56.7	90	1	20.2	9380567		
			57.7	90	1	20.2	9380577		
			58.7	90	1	20.2	9380587		
			59.7	90	1	20.2	9380597		
			60.7	90	1	20.2	9380607		
			61.7	90	1	20.2	9380617		
			62.7	90	1	20.2	9380627		
			63.7	90	1	20.2	9380637		
EMX-P-9	9390000	64.7-81.7	64.7	100	1	20.7	9390647	9392000	137
			65.7	100	1	20.7	9390657		
			66.7	100	1	20.7	9390667		
			67.7	100	1	20.7	9390677		
			68.7	100	1	20.7	9390687		
			69.7	100	1	20.7	9390697		
			70.7	100	1	20.7	9390707		
			71.7	100	1	20.7	9390717		
			72.7	100	1	20.7	9390727		
			73.7	100	1	20.7	9390737		
			74.7	100	1	20.7	9390747		
			75.7	100	1	20.7	9390757		
			76.7	100	1	20.7	9390767		
			77.7	100	1	20.7	9390777		
			78.7	100	1	20.7	9390787		
79.7	100	1	20.7	9390797					
80.7	100	1	20.7	9390807					

\* Id. No. XXXXXX-V = Clamping sleeve vulcanized.

\*\* Clamping on area P only is not allowed.

# EMX-P

## Expanding mandrels Ø 14.7 - 131.7 mm

Expanding mandrel  
Manual or power operated

■ Ordering review

basic mandrel							Clamping sleeve* with actuating screw	actuation screw	
type	Id. No.	clamping range	ØD	E	expansibility	P**	Id.-No.	Id. No.	L
EMX-P-10	9300000	81.7-101.7	81.7	122	1	21.7	9300817	9302000	165
			82.7	122	1	21.7	9300827		
			83.7	122	1	21.7	9300837		
			84.7	122	1	21.7	9300847		
			85.7	122	1	21.7	9300857		
			86.7	122	1	21.7	9300867		
			87.7	122	1	21.7	9300877		
			88.7	122	1	21.7	9300887		
			89.7	122	1	21.7	9300897		
			90.7	122	1	21.7	9300907		
			91.7	122	1	21.7	9300917		
			92.7	122	1	21.7	9300927		
			93.7	122	1	21.7	9300937		
			94.7	122	1	21.7	9300947		
			95.7	122	1	21.7	9300957		
			96.7	122	1	21.7	9300967		
			97.7	122	1	21.7	9300977		
			98.7	122	1	21.7	9300987		
			99.7	122	1	21.7	9300997		
			EMX-P-11	9310010	101.7-131.7	101.7	140		
102.7	140	1				26.2	9311027		
103.7	140	1				26.2	9311037		
104.7	140	1				26.2	9311047		
105.7	140	1				26.2	9311057		
106.7	140	1				26.2	9311067		
107.7	140	1				26.2	9311077		
108.7	140	1				26.2	9311087		
109.7	140	1				26.2	9311097		
110.7	140	1				26.2	9311107		
111.7	140	1				26.2	9311117		
112.7	140	1				26.2	9311127		
113.7	140	1				26.2	9311137		
114.7	140	1				26.2	9311147		
115.7	140	1				26.2	9311157		
116.7	140	1				26.2	9311167		
117.7	140	1				26.2	9311177		
118.7	140	1				26.2	9311187		
119.7	140	1				26.2	9311197		
120.7	140	1				26.2	9311207		
121.7	140	1	26.2	9311217					
122.7	140	1	26.2	9311227					
123.7	140	1	26.2	9311237					
124.7	140	1	26.2	9311247					
125.7	140	1	26.2	9311257					
126.7	140	1	26.2	9311267					
127.7	140	1	26.2	9311277					
128.7	140	1	26.2	9311287					
129.7	140	1	26.2	9311297					
130.7	140	1	26.2	9311307					

\* Id. No. XXXXXX-V = Clamping sleeve vulcanized.

\*\* Clamping on area P only is not allowed.