

EMX-C

Segment sleeve mandrel
Power operated

Segment sleeve mandrel $\varnothing 25 - 121 \text{ mm}$

- Size 1 - 5
- Large expansibility



Application/customer benefits

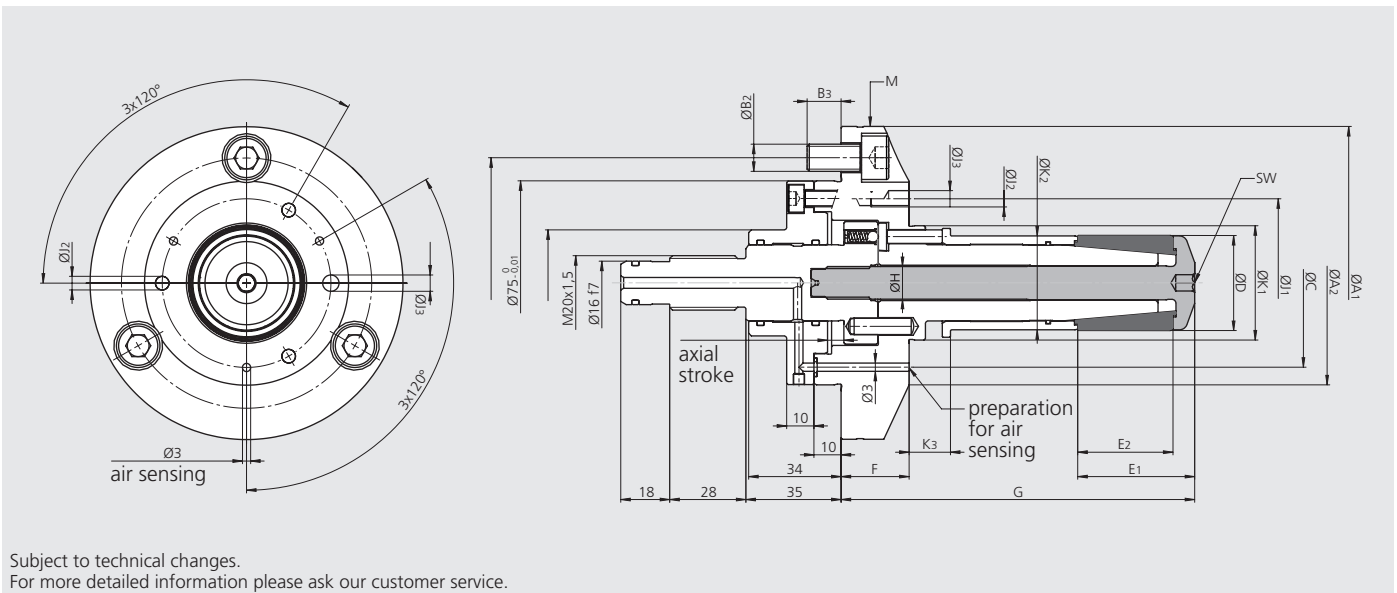
- Ideal for volume production and hard turning / grinding with wear resistant, case hardened and vulcanised clamping sleeves
- Highest accuracy and high torque transmission by means of fixed mandrel body
- Axial pull down by the axial clamping movement of the clamping sleeve = best face run out
- Clamping sleeve quick change for short setup times
- Preparation for air sensing

Technical details

- Large expansibility 1-1.2 mm depending on the size (-0,3 » +0,7 / -0,3 » +0,9 from nom. \varnothing)
- Case hardened and vulcanized segment sleeves
- Power operated / manual lubrication
- Rigid design with flange mounting

Standard equipment

Base mandrel with mounting bolts
Clamping screw



Subject to technical changes.
For more detailed information please ask our customer service.

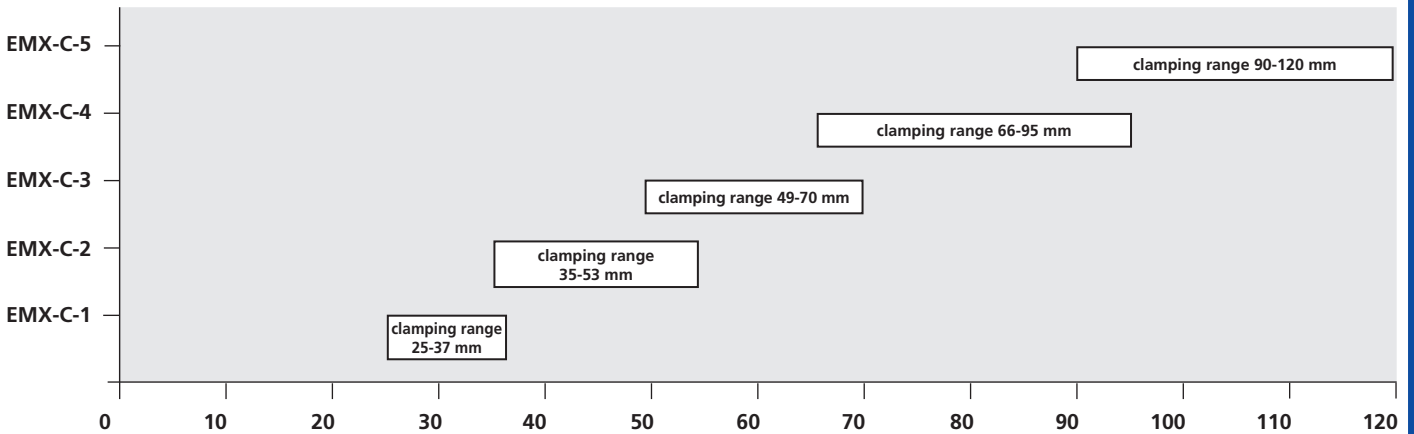
SMW-AUTOBLOK Type	EMX-C-1	EMX-C-2	EMX-C-3	EMX-C-4	EMX-C-5	
Id. No.	9410000	9420000	9430000	9440000	9450000	
A1	115	115	115	135	165	
A2	75	75	115	135	165	
B1	92	92	92	112	140	
B2	3 x M10	3 x M10	3 x M10	3 x M10	3 x M12	
B3	12.5	12.5	15.6	15.6	16	
C	3 x 120° $\varnothing 3$	62	75	95	120	
D	Clamping length	25-37	35-53	49-70	66-95	90-120
E1		37	43	55	64	86
E2	Clamping range	30	35	45	50	70
F		25	25	25	25	32
G		119	130	156.5	175.5	217.5
H		M8 x 1	M12 x 1.5	M14 x 1.5	M16 x 1.5	M20 x 1.5
J1		62	62	100	115	140
J2	3 x 120°	M6	M6	M6	M8	M8
J3	H7	6	6	6	8	8
K1	f8	35	42	54	73	96
K2	f8	24.5	34.5	48.5	64.5	89.5
K3		16.2	15.2	16.5	17	22
M transport	3 x 120°	-	-	-	M8	M8
SW (hex)		SW5	SW6	SW10	SW12	SW14

Technical data

SMW-AUTOBLOK Type	EMX-C-1	EMX-C-2	EMX-C-3	EMX-C-4	EMX-C-5
Id. No.	9410000	9420000	9430000	9440000	9450000
Axial stroke	6.0	6.0	6.0	6.0	6.0
Expansibility in dia.	1.0	1.0	1.2	1.2	1.2
Max. actuating force in kN	8	12	15	25	30
Max. transmittable torque in Nm	35	90	120	250	400
Weight in kg	2.9	3.2	4.3	6.6	13.3
Rec. clamping cylinders	SIN-S 70	SIN-S 85	SIN-S 85	SIN-S 100	SIN-S 125

■ Ordering review

Overview clamping ranges



Clamping sleeves

EMX-C-1*

Ø	25	26	27	28	29	30	31	32	33	34	35	36	37
Id. No.	9410250	9410260	9410270	9410280	9410290	9410300	9410310	9410320	9410330	9410340	9410350	9410360	9410370

EMX-C-2*

Ø	35	36	37	38	39	40	41	42	43	44	45	46	47
Id. No.	9420350	9420360	9420370	9420380	9420390	9420400	9420410	9420420	9420430	9420440	9420450	9420460	9420470
Ø	48	49	50	51	52	53							
Id. No.	9420480	9420490	9420500	9420510	9420520	9420530							

EMX-C-3*

Ø	49	50	51	52	53	54	55	56	57	58	59	60	61
Id. No.	9430490	9430500	9430510	9430520	9430530	9430540	9430550	9430560	9430570	9430580	9430590	9430600	9430610
Ø	62	63	64	65	66	67	68	69	70				
Id. No.	9430620	9430630	9430640	9430650	9430660	9430670	9430680	9430690	9430700				

EMX-C-4*

Ø	66	67	68	69	70	71	72	73	74	75	76	77	78
Id. No.	9440660	9440670	9440680	9440690	9440700	9440710	9440720	9440730	9440740	9440750	9440760	9440770	9440780
Ø	79	80	81	82	83	84	85	86	87	88	89	90	91
Id. No.	9440790	9440800	9440810	9440820	9440830	9440840	9440850	9440860	9440870	9440880	9440890	9440900	9440910
Ø	92	93	94	95									
Id. No.	9440920	9440930	9440940	9440950									

EMX-C-5*

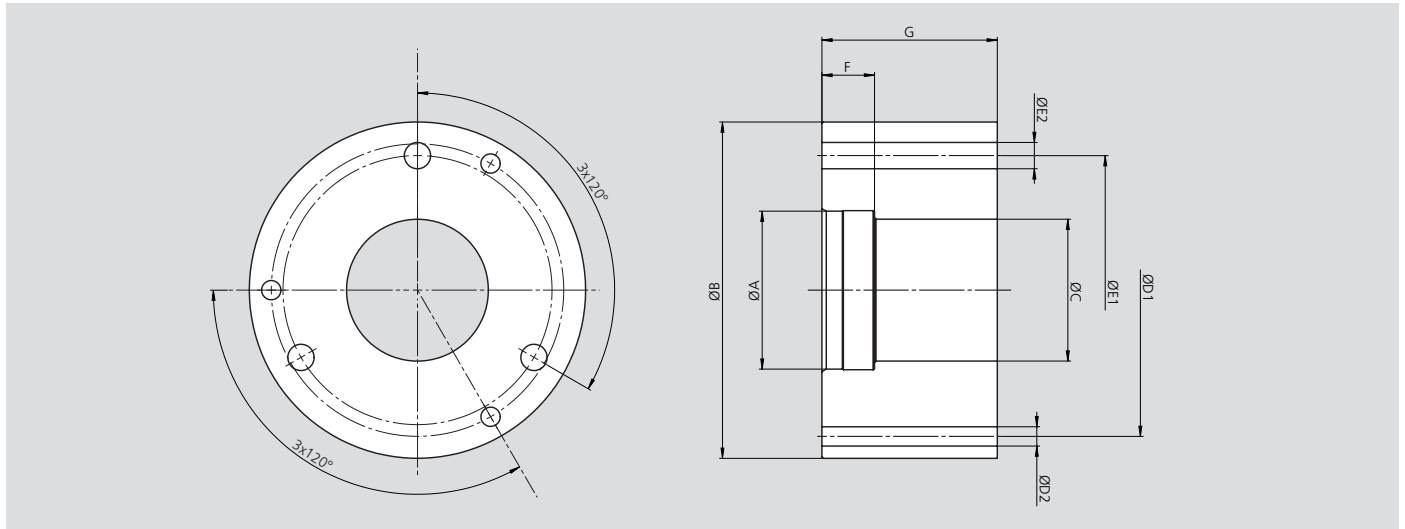
Ø	90	91	92	93	94	95	96	97	98	99	100	101	102
Id. No.	9450900	9450910	9450920	9450930	9450940	9450950	9450960	9450970	9450980	9450990	9451000	9451010	9451020
Ø	103	104	105	106	107	108	109	110	111	112	113	114	115
Id. No.	9451030	9451040	9451050	9451060	9451070	9451080	9451090	9451100	9451110	9451120	9451130	9451140	9451150
Ø	116	117	118	119	120								
Id. No.	9451160	9451170	9451180	9451190	9451200								

* The expanding sleeves have a loading clearance of 0,3 mm in dia.

Clamping screws

type	Id. No.
EMX-C-1	9412000
EMX-C-2	9422000
EMX-C-3	9432000
EMX-C-4	9442000
EMX-C-5	9452000

Workstop blanks soft for EMX-C



mandrel size	EMX-C-1		EMX-C-2		EMX-C-3		EMX-C-4		EMX-C-5	
	short	long	short	long	short	long	short	long	short	long
Id. No.	9413000	9413001	9423000	9423001	9433000	9433001	9443000	9443001	9453000	9453001
ØA	35	35	42	42	54	54	73	73	96	96
ØB	75	75	75	75	115	115	135	135	165	165
ØC	24.5	24.5	34.5	34.5	48.5	48.5	64.5	64.5	89.5	89.5
ØD1	62	62	62	62	100	100	115	115	140	140
ØD2	6.6	6.6	6.6	6.6	6.6	6.6	9	9	9	9
ØE1	-	-	-	-	92	92	112	112	140	140
ØE2	-	-	-	-	9	9	9	9	12	12
F	17.2	17.2	16.2	16.2	17.5	17.5	18	18	23	23
G	40	75	45	85	60	110	70	125	85	160