

# Modified standard jaw-blanks according to your specifications

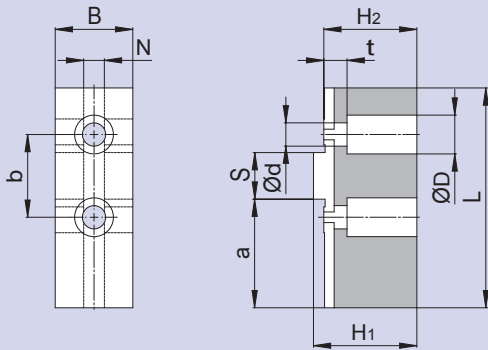
## Reduced weight and / or tapering for small clamping diameters

### Your benefits:

- You will quickly receive the right offer
- The jaws are made from blanks, which makes them inexpensive and available at short term
- Economical alternative to special jaws
- No machining is required on the clamping jaws by the customer
- Clamping diameter can be turned out by the customer on the machine under clamping pressure = best concentricity
- Clamping of small workpiece diameters due to tapered clamping surface
- If you have any questions in advance, please contact [backen@smw-autoblok.de](mailto:backen@smw-autoblok.de)

interactive PDF available  
at [www.smw-autoblok.de](http://www.smw-autoblok.de)

### Soft top jaw-blanks



Dimensions					
a		mm	H2		mm
b		mm	L		mm
B		mm	N		mm
d		mm	S		mm
D		mm	t		mm
H1		mm			

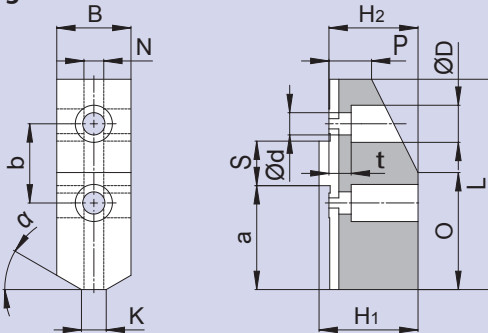
#### Material

Quantity in pieces

Chuck manufacturer

Chuck type + size

### Soft top jaw-blanks weight reduced



Dimensions					
a		mm	N		mm
b		mm	S		mm
B		mm	t		mm
d		mm	K		mm
D		mm	O		mm
H1		mm	P		mm
H2		mm	α		Grad
L		mm			

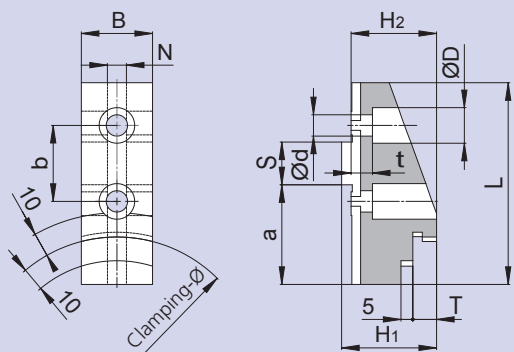
#### Material

Quantity in pieces

Chuck manufacturer

Chuck type + size

### Soft top jaws for external clamping



Dimensions					
a		mm	L		mm
b		mm	N		mm
B		mm	S		mm
d		mm	t		mm
D		mm	T		mm
H1		mm	Clamping-Ø		mm
H2		mm	Workpiece-Ø		mm

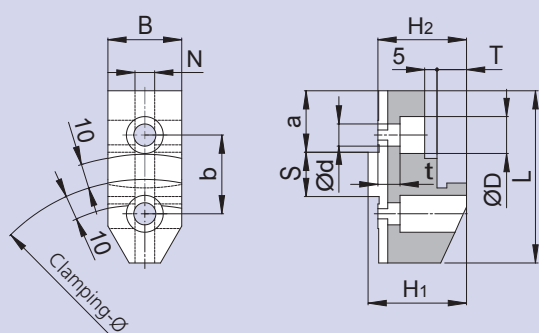
#### Material

Quantity in pieces

Chuck manufacturer

Chuck type + size

### Soft top jaws for internal clamping



Dimensions					
a		mm	L		mm
b		mm	N		mm
B		mm	S		mm
d		mm	t		mm
D		mm	T		mm
H1		mm	Clamping-Ø		mm
H2		mm	Workpiece-Ø		mm

#### Material

Quantity in pieces

Chuck manufacturer

Chuck type + size