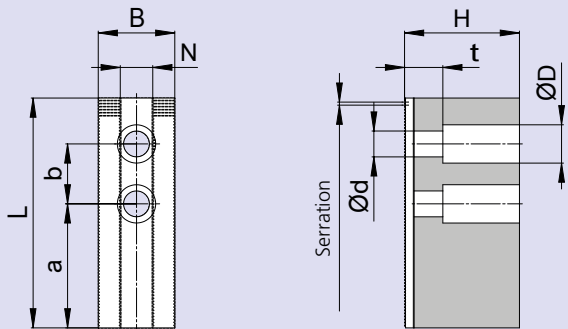


Soft special jaws to customer request

- Simply copy and fax to: +49 (0) 7542 3886
- Download from www.smw-autoblok.de

Soft top jaw-blanks

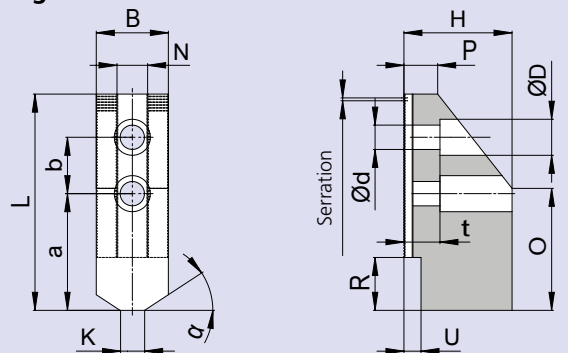


Dimensions					
a		mm	H		mm
b		mm	L		mm
B		mm	N		mm
d		mm	t		mm
D		mm			

Jaw serration (please mark)			
	1/16" x 90°		1.5 x 60°
	3/32" x 90°		3 x 60°

Material			
Quantity in pieces			
Chuck manufacturer			
Chuck type + size			

Soft top jaw-blanks weight reduced

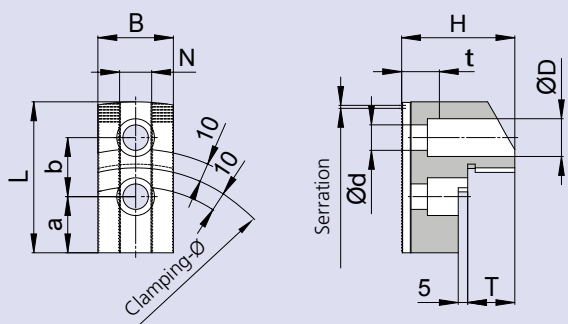


Dimensions					
a		mm	K		mm
b		mm	O		mm
B		mm	P		mm
d		mm	R		mm
D		mm	t		mm
H		mm	U		mm
L		mm	α		Grad
N		mm			

Jaw serration (please mark)			
	1/16" x 90°		1.5 x 60°
	3/32" x 90°		3 x 60°

Material			
Quantity in pieces			
Chuck manufacturer			
Chuck type + size			

Soft top jaws for OD clamping

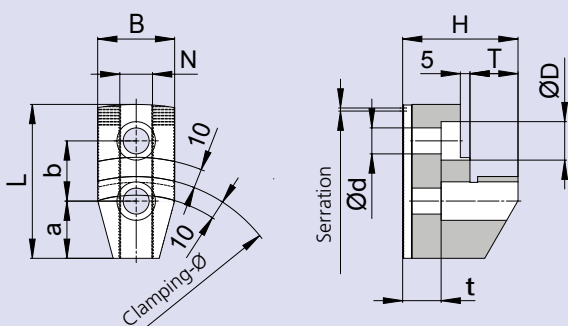


Dimensions					
a		mm	L		mm
b		mm	N		mm
B		mm	t		mm
d		mm	T		mm
D		mm	Clamping-Ø		mm
H		mm	Workpiece-Ø		mm

Jaw serration (please mark)			
	1/16" x 90°		1.5 x 60°
	3/32" x 90°		3 x 60°

Material			
Quantity in pieces			
Chuck manufacturer			
Chuck type + size			

Soft top jaws for ID clamping



Dimensions					
a		mm	L		mm
b		mm	N		mm
B		mm	t		mm
d		mm	T		mm
D		mm	Clamping-Ø		mm
H		mm	Workpiece-Ø		mm

Jaw serration (please mark)			
	1/16" x 90°		1.5 x 60°
	3/32" x 90°		3 x 60°

Material			
Quantity in pieces			
Chuck manufacturer			
Chuck type + size			